

1 SITE PLAN
1/32" = 1'-0"

REFERENCE CIVIL PACKAGE FOR ADDITIONAL
DETAILS AND INFORMATION

SALAS O'BRIEN
Expect a difference
3501 Quadrangle Boulevard, Suite 100
Orlando, Florida 32817
(407) 386-9400
CERT. OF AUTH. NO. 6106
■ GARY A. WILKERSON, P.E. 43167
■ KYLE J. CARTER, P.E. 53269
■ JEFF A. KIRKMAN, P.E. 65629
■ ADAM S. LEVINE, P.E. 77010
19005

HOUSEMAN ARCHITECTURE
931 S SEMORAN BLVD. #204B WINTER PARK, FL 32792
800.774.6455
ALL IDEAS, DESIGNS, AND DETAILS REPRESENTED BY THIS DRAWING ARE OWNED BY AND THE PROPERTY OF HOUSEMAN ARCHITECTURE, LLC AND WILL BE CREATED, REVISED, AND DEVELOPED FOR USE IN CONNECTION WITH THE SPECIFIED PROJECT. NONE OF THE IDEAS, DESIGNS, OR DETAILS SHALL BE USED BY OR DISCLOSED TO ANYONE FOR ANY PURPOSE WHATSOEVER WITHOUT THE WRITTEN PERMISSION OF HOUSEMAN ARCHITECTURE, LLC.

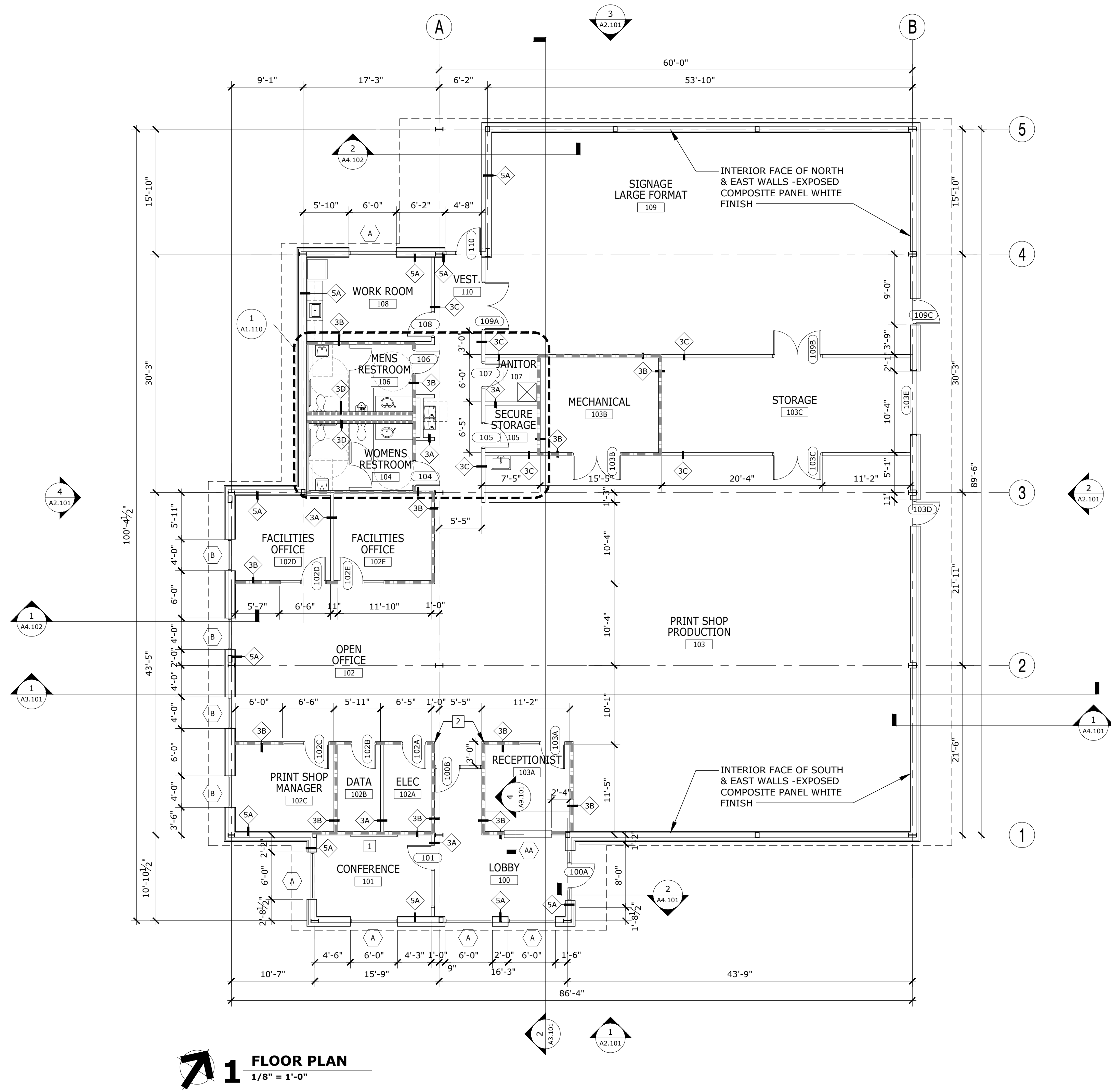
REVISION	DATE	DRAWN	CHECKED

ISSUE FOR BID - 8/7/2019

SITE PLAN

EMBRY-RIDDLE AERONAUTICAL UNIVERSITY
NEW PRINT SHOP BUILDING

Date: 08/07/2019
Job no. 18-042
Sheet no. **A0.100**



1 FLOOR PLAN
1/8" = 1'-0"

FLOOR PLAN NOTES

1. DO NOT SCALE THESE DRAWINGS.
2. THE INTENT OF THESE DRAWINGS IS TO INDICATE THE SCOPE OF WORK REQUIRED IN ORDER TO CONSTRUCT A COMPLETE AND FINISHED SPACE READY FOR OCCUPANCY. THE CONTRACTOR AND SUB-CONTRACTORS ARE EXPECTED TO VISIT THE PROJECT SITE PRIOR TO CONSTRUCTION AND NOTIFY THE ARCHITECT - PRIOR TO CONSTRUCTION - OF ANY DISCREPANCIES WITHIN THE DRAWINGS OR POSSIBLE CONFLICTS WHICH AFFECT THE PROGRESS OF THIS PROJECT. THE CONTRACTOR SHALL VERIFY ALL DIMENSIONS AND FIELD CONDITIONS NOTIFYING THE ARCHITECT OF ANY DISCREPANCIES BEFORE PROCEEDING WITH THE WORK.
3. ALL DIMENSIONS ON FLOOR PLANS ARE FROM FACE OF STUD TO STUD OF WALL, UNLESS NOTED OTHERWISE. DIMENSIONS TO EXTERIOR WALLS ARE TO INSIDE FACE OF STRUCTURE.
4. PROVIDE TILE BACKER BOARD AT ALL TILE LOCATIONS. PROVIDE WATER RESISTANT GYPSUM BOARD BEHIND ALL SINK LOCATIONS.
5. PROVIDE BLOCKING AS REQUIRED FOR ALL GRAB BARS, TV'S AND OTHER WALL MOUNTED FIXTURES AS REQUIRED.
6. ALL CONSTRUCTION SHALL COMPLY WITH APPLICABLE BUILDING AND FIRE SAFETY CODES.
7. BUILDING DEPARTMENT APPROVED PLANS SHALL BE KEPT IN A PLAN BOX AND SHALL BE USED ONLY BY THE SUPERINTENDENT. ALL CONSTRUCTION DOCUMENT SETS SHALL REFLECT THE SAME INFORMATION. THE CONTRACTOR SHALL ALSO MAINTAIN, IN GOOD CONDITION, ONE COMPLETE SET OF CONSTRUCTION DOCUMENTS WITH ALL REVISIONS, ADDENDA AND CHANGE ORDERS, ON THE PREMISES AT ALL TIMES. THESE SHALL BE UNDER THE CARE OF THE JOB SUPERINTENDENT.
8. INTERIOR STEEL FRAMED GYPSUM BOARD PARTITION DESIGN CRITERIA SHALL BE BASED ON ASTM C 754 STANDARD SPECIFICATION FOR INSTALLATION OF STEEL FRAMING MEMBERS TO RECEIVE SCREW ATTACHED GYPSUM PANEL PRODUCTS, LATEST VERSION. ALLOWABLE DEFLECTION WITH A 5 PSF UNIFORM LOAD PERPENDICULAR TO THE PARTITION IS 1/240. PARTITIONS WITH TILE FINISH SHALL HAVE AN ALLOWABLE DEFLECTION OF 1/360.
9. ALL PARTITIONS TO RECEIVE LEVEL 4 FINISH U.N.O.
10. DOORS ARE LOCATED 6" FROM THE CORNER U.N.O.

PARTITION SCHEDULE

TYPE	SYMBOL	HEIGHT	DESCRIPTION
3A	=====	6" ABOVE CEILING	ONE LAYER 5/8" GYPSUM WALL BOARD EACH SIDE OF 3-5/8" METAL FRAMING - BRACE WALL AS REQUIRED.
3B	-----	TO DECK	ONE LAYER 5/8" GYPSUM WALL BOARD EACH SIDE OF 3-5/8" METAL FRAMING WITH BATT INSULATION (FULL DEPTH OF STUDS) - BRACE WALL AS REQUIRED.
3C	=====	TO DECK	ONE LAYER 5/8" GYPSUM WALL BOARD EACH SIDE OF 3-5/8" METAL FRAMING - BRACE WALL AS REQUIRED.
3D	=====	6" ABOVE CEILING	ONE LAYER 5/8" WATER RESISTANT GYPSUM WALL BOARD ONE SIDE OF 3-5/8" METAL FRAMING WITH BATT INSULATION (FULL DEPTH OF STUDS) - BRACE WALL AS REQUIRED. PROVIDE TILE BACKER BOARD AT TILE LOCATIONS
5A	=====	6" ABOVE CEILING OR EAVE HT.	ONE LAYER 5/8" GYPSUM WALL BOARD ONE SIDE OF METAL FRAMING ATTACHED TO RIGID FRAME STRUCTURE

KEYNOTES

- 1 PROVIDE BLOCKING IN WALLS FOR TV MONITORS AND RESTROOM GRAB BARS, COUNTERS & TOILET ACCESSORIES
- 2 ALIGN FACE

REVISION	DATE	DRAWN	CHECKED

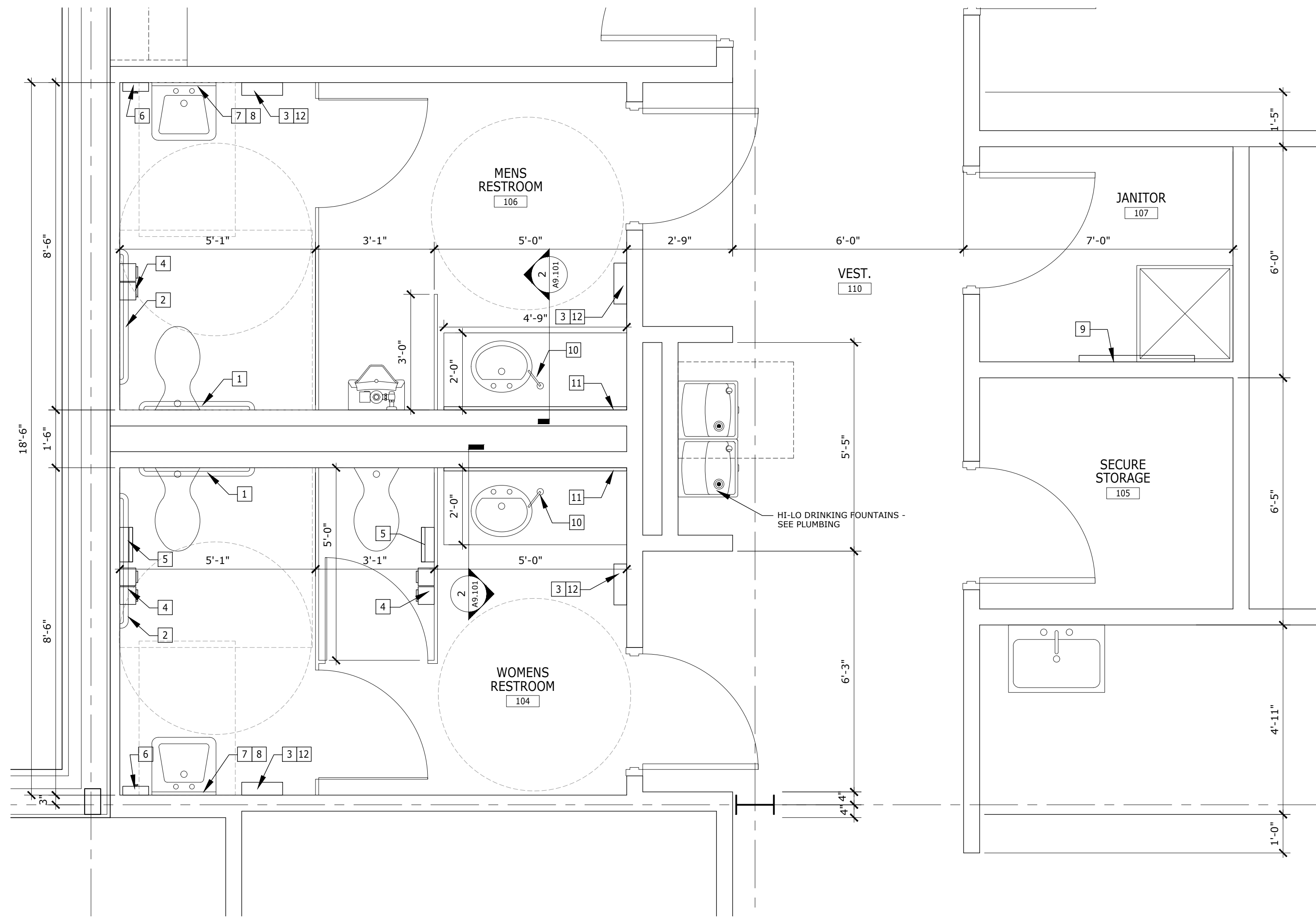
EMBRY-RIDDLE AERONAUTICAL UNIVERSITY
NEW PRINT SHOP BUILDING

ISSUE FOR BID - 8/7/2019

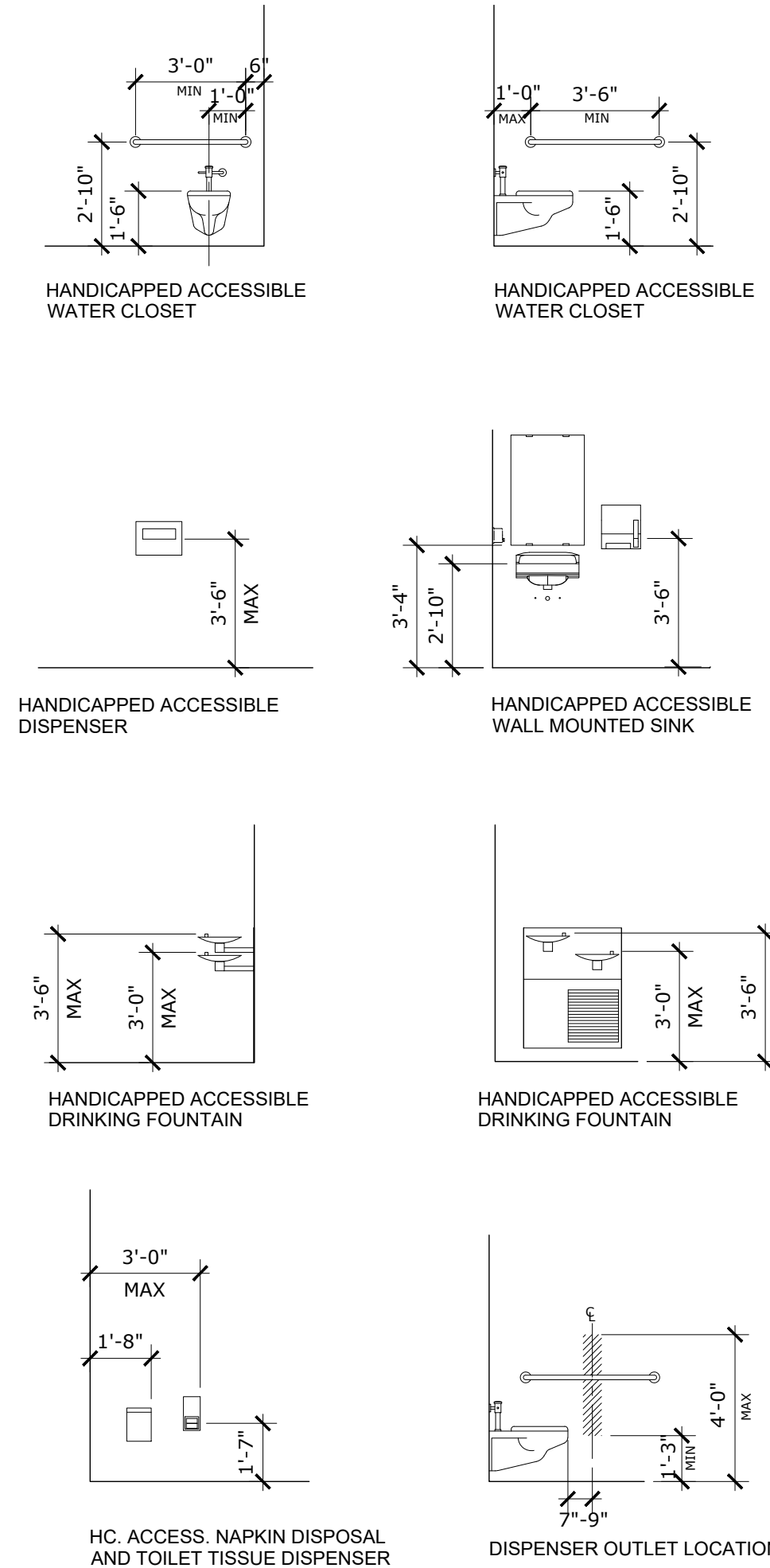
FLOOR PLAN

Date: 08/07/2019
Job no. 18-042
Sheet no.

A1.101



1 ENLARGED TOILET PLAN
1/2" = 1'-0"



2 ACCESSORY MOUNTING HEIGHTS
NOT TO SCALE

TOILET ACCESSORY SCHEDULE

NOTE	TAG	DESCRIPTION	MODEL #
A	1	GRAB BAR, 1 1/2" X 36"	B-6806 X36
A	2	GRAB BAR, 1 1/2" X 42"	B-6806 X42
A	3	PAPER TOWEL DISPENSER - UNISOURCE	#U24081
A	4	TOILET TISSUE DISPENSER - GA PACIFIC	#56784
A	5	SANITARY NAPKIN DISPOSAL	B-270
A	6	SOAP DISPENSER - GA PACIFIC	#53053
A	7	ADA TILTED MIRROR	B-293-2436
A	8	STAINLESS STEEL SHELF	B-295 X24
A	9	MOP/BROOM HOLDER	B-223 X36
A	10	COUNTERTOP SOAP DISPENSER	B-823
A	11	BACKLIT MIRROR - 42" T. X 4'-6" W. - SEE ELECTRICAL	
A	12	WASTE RECEPTACLE	B-277

SCHEDULE NOTE:
A = CONTRACTOR FURNISHED, CONTRACTOR INSTALLED
B = OWNER FURNISHED, OWNER INSTALLED

GENERAL NOTES:
1. CONTRACTOR TO PROVIDE BLOCKING AS REQUIRED FOR ALL WALL MOUNTED ACCESSORIES.
2. MODEL NUMBERS ARE BASED UPON BOBRICK PRODUCT NUMBERS UNO.
3. REFER TO MOUNTING HEIGHTS ON THIS PAGE FOR ADA APPROVED INSTALLATION.



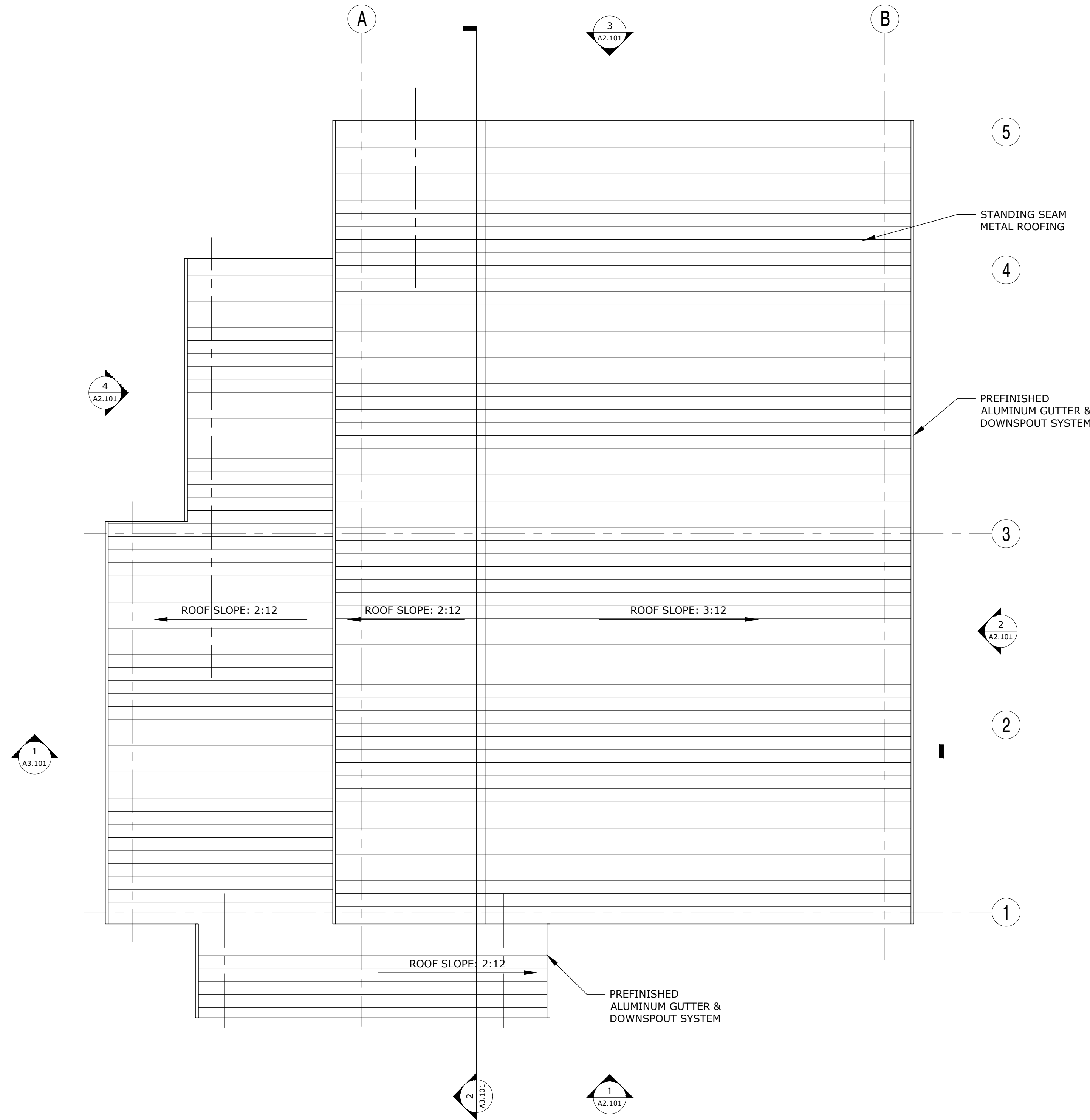
REVISION	DATE	DRAWN	CHECKED

ISSUE FOR BID - 8/7/2019

08/07/2019
Job no. 18-042
Sheet no. **A1.110**

ENLARGED PLANS & DETAILS

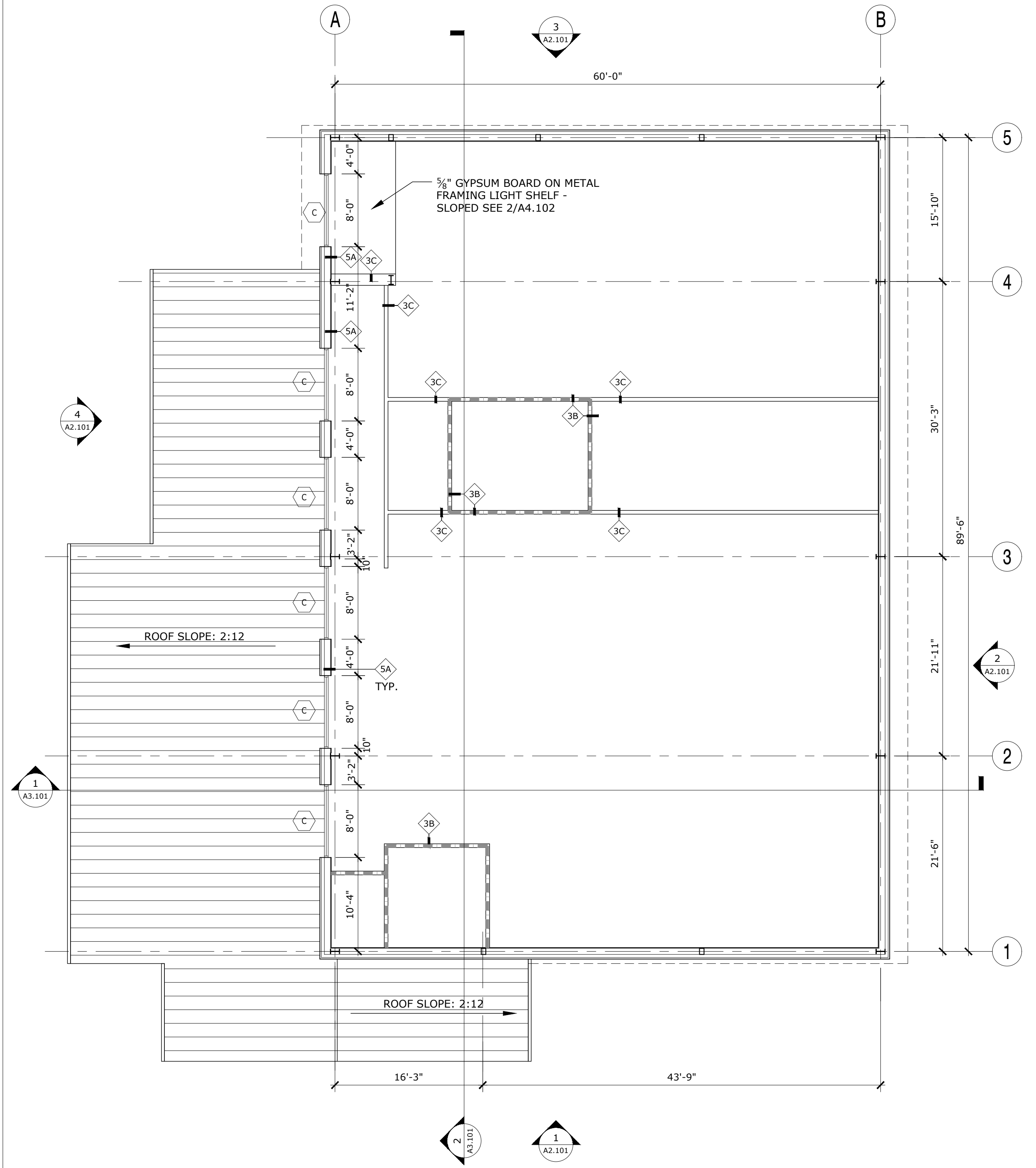
EMBRY-RIDDLE AERONAUTICAL UNIVERSITY
NEW PRINT SHOP BUILDING



1 ROOF PLAN
1/8" = 1'-0"

ROOF PLAN NOTES

1. ROOFING INSULATION R-VALUE TO BE R-30 MIN.
2. SEE STRUCTURAL DRAWINGS FOR DESIGN WIND PRESSURES AND SPEEDS.
3. COORDINATE WITH CIVIL DRAWINGS FOR DOWNSPOUT CONNECTION LOCATIONS.



2 CLERESTORY PLAN
1/8" = 1'-0"



REVISION	DATE	DRAWN	CHECKED

ISSUE FOR BID - 8/7/2019

ROOF & CLERESTORY PLANS

EMBRY-RIDDLE AERONAUTICAL UNIVERSITY
NEW PRINT SHOP BUILDING

Date: 08/07/2019
Job no. 18-042
Sheet no. **A1.201**



SALAS O'BRIEN
[expect a difference]
3501 Quadrangle Boulevard, Suite 100
Orlando, Florida 32817
(407) 386-8400

CERT. OF AUTH. NO. 6106
■ GARY A. WILKERSON, P.E. 43167
■ KYLE J. CARTER, P.E. 53269
■ JEFF A. KIRKMAN, P.E. 65229
■ ADAM S. LEVINE, P.E. 77010
19005

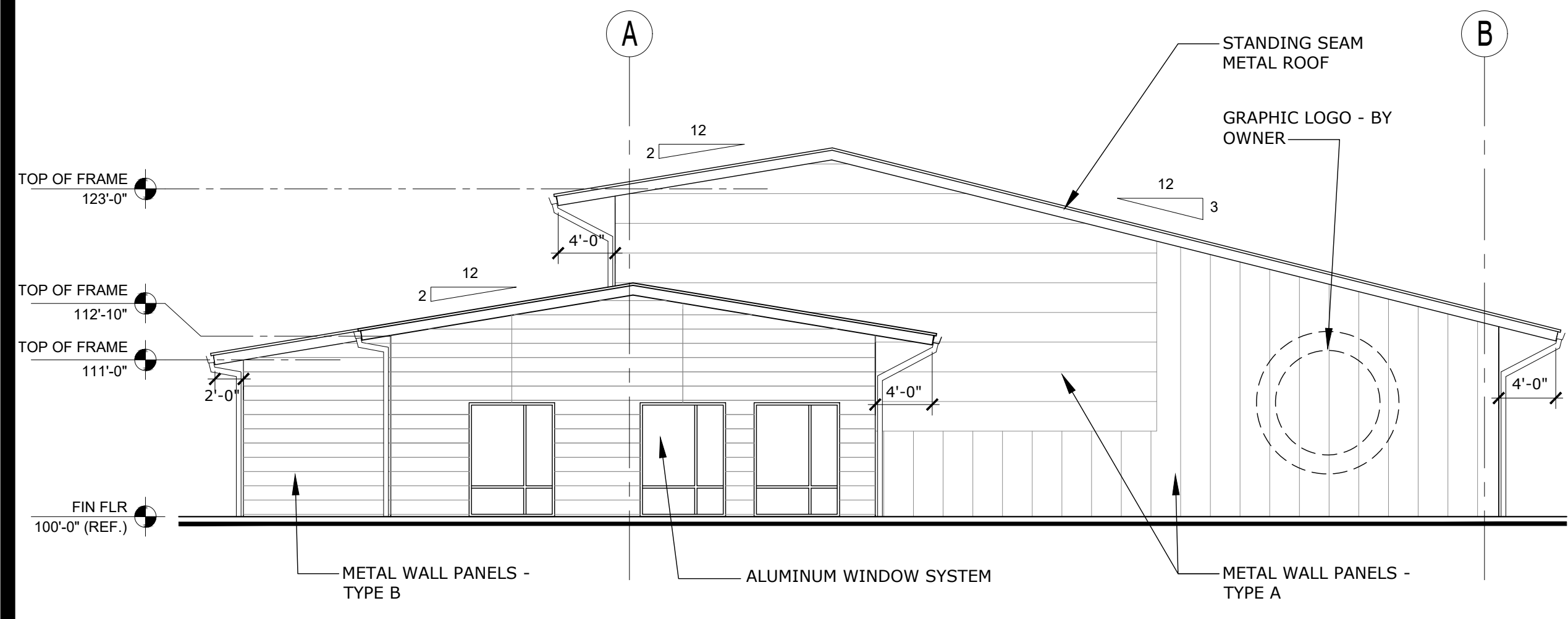


HOUSEMAN ARCHITECTURE
931 S SEMORAN BLVD, #204B WINTER PARK, FL 32792
800.744.5

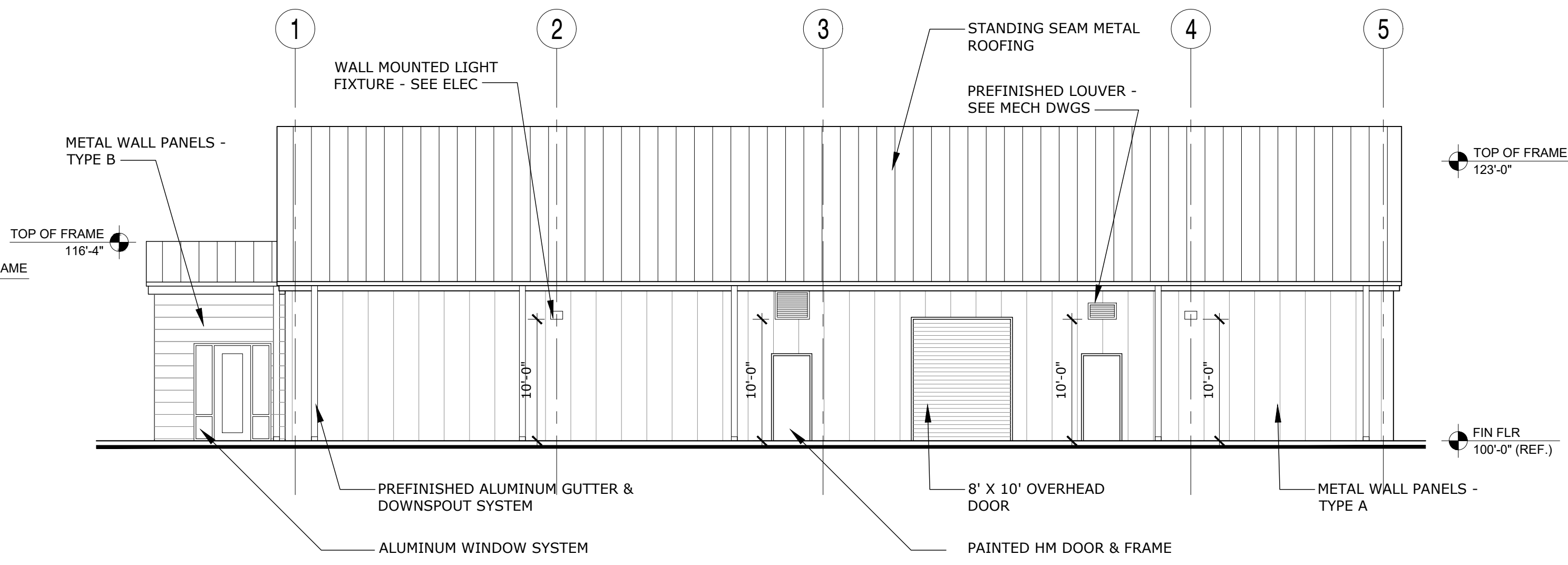
ALL IDEAS, DESIGNS, AND DETAILS REPRESENTED BY THIS DRAWING ARE OWNED BY AND THE PROPERTY OF HOUSEMAN ARCHITECTURE, LLC AND WILL BE CREDITED TO HOUSEMAN ARCHITECTURE, LLC AND WILL BE CONSIDERED WITH THE SPECIFIED PROJECT. NONE OF THE IDEAS, DESIGNS, OR DETAILS SHALL BE USED BY OR SPECIFIED TO ANYONE FOR ANY PURPOSE WHATSOEVER WITHOUT THE WRITTEN PERMISSION OF HOUSEMAN ARCHITECTURE, LLC.

REVISION	DATE	DRAWN	CHECKED

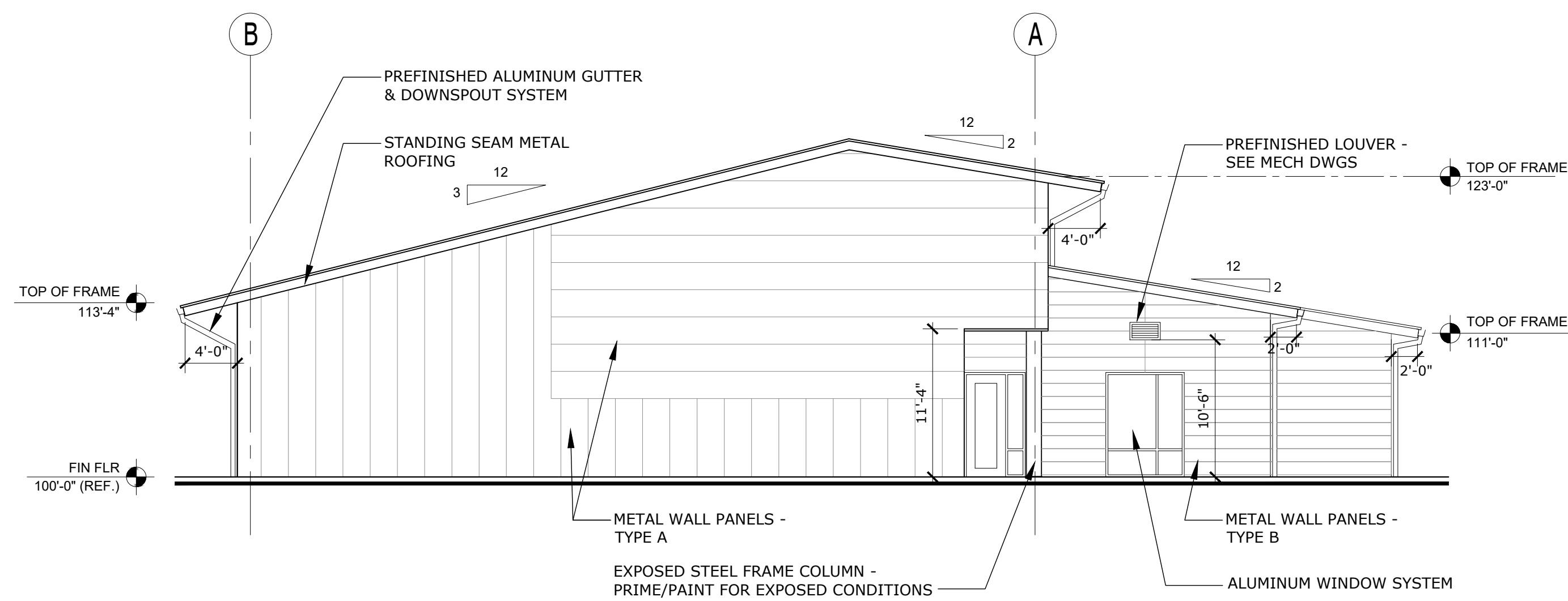
ISSUE FOR BID - 8/7/2019
EXTERIOR ELEVATIONS
 EMBRY-RIDDLE AERONAUTICAL UNIVERSITY
 NEW PRINT SHOP BUILDING
 Date: 08/07/2019
 Job no. 18-042
 Sheet no. **A2.101**



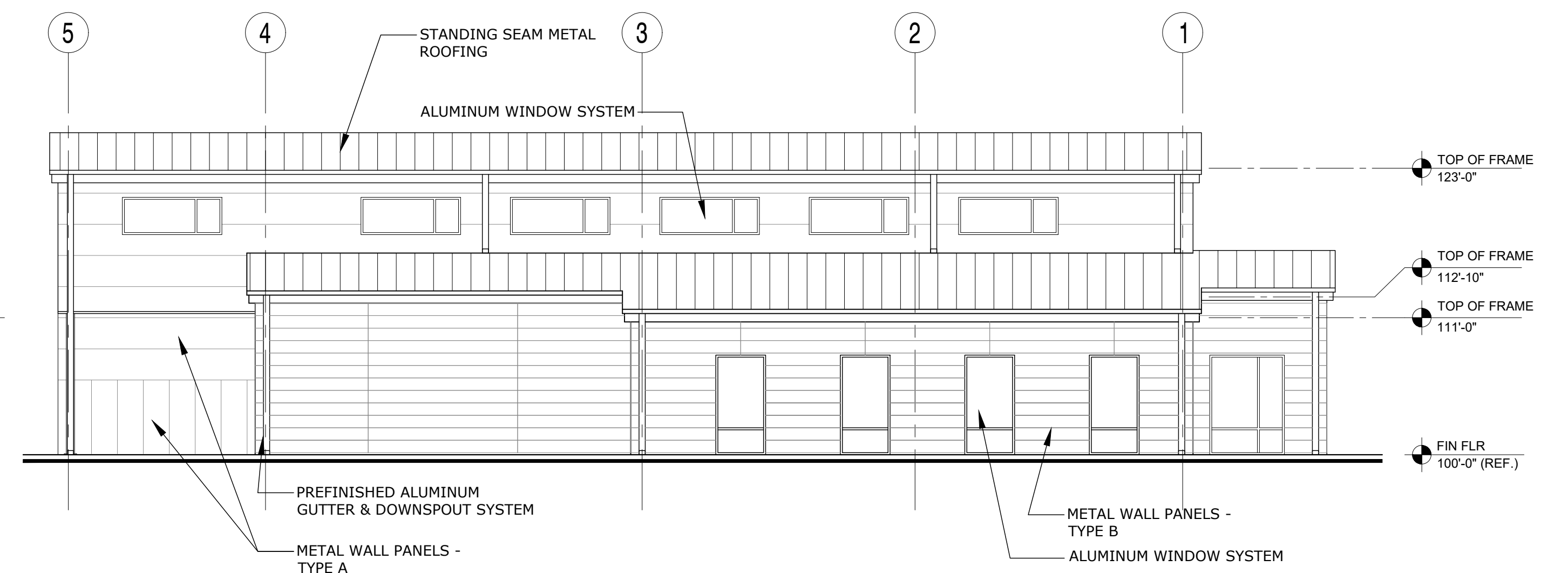
1 SOUTH ELEVATION
1/8" = 1'-0"



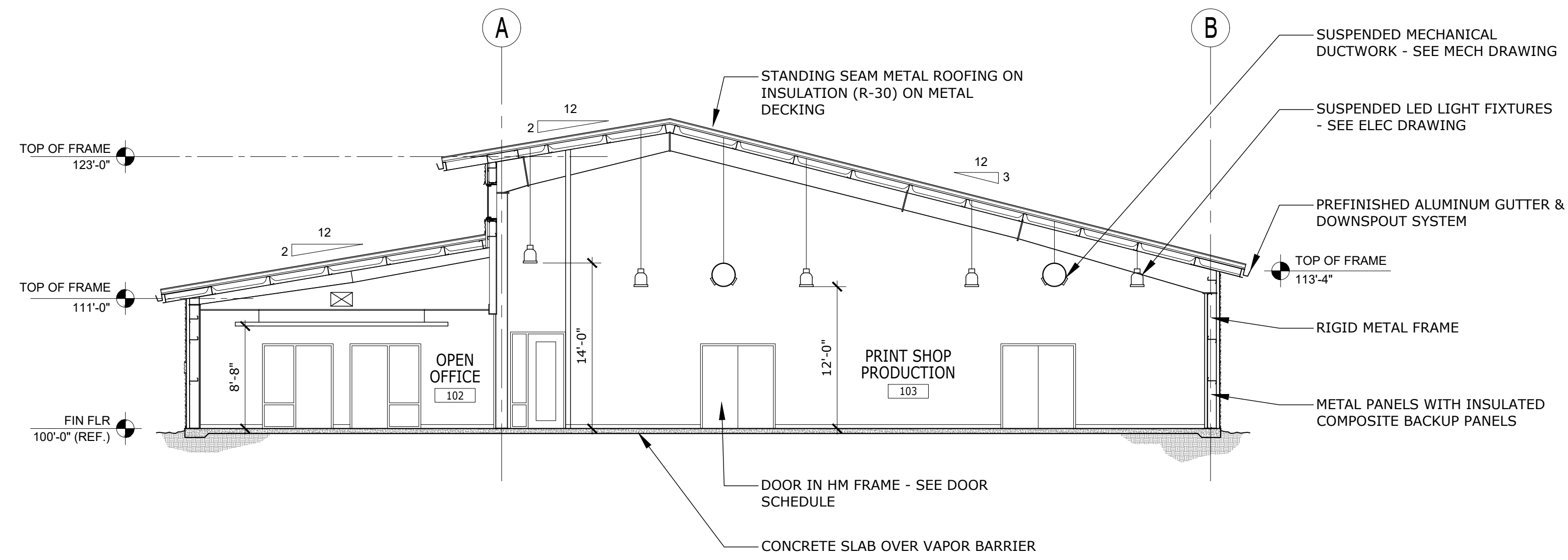
2 EAST ELEVATION
1/8" = 1'-0"



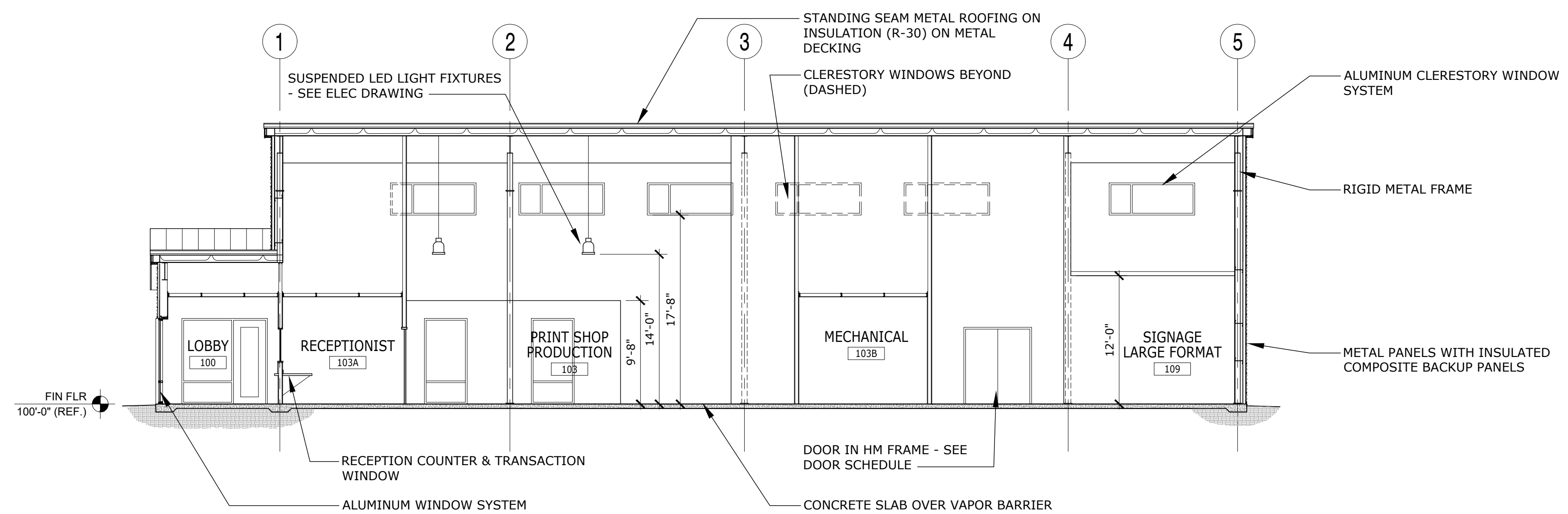
3 NORTH ELEVATION
1/8" = 1'-0"



4 WEST ELEVATION
1/8" = 1'-0"



1 BUILDING SECTION
1/8" = 1'-0"



2 BUILDING SECTION
1/8" = 1'-0"



SALAS O'BRIEN
[expect a difference]
3501 Quadrangle Boulevard, Suite 100
Orlando, Florida 32817
(407) 380-0400

CERT. OF AUTH. NO. 6106
■ GARY A. WILKERSON, P.E. 43167
■ WYLEE J. CARTER, P.E. 53209
■ JEFF A. KIRKMAN, P.E. 65829
■ ADAM S. LEVINE, P.E. 77010

19005



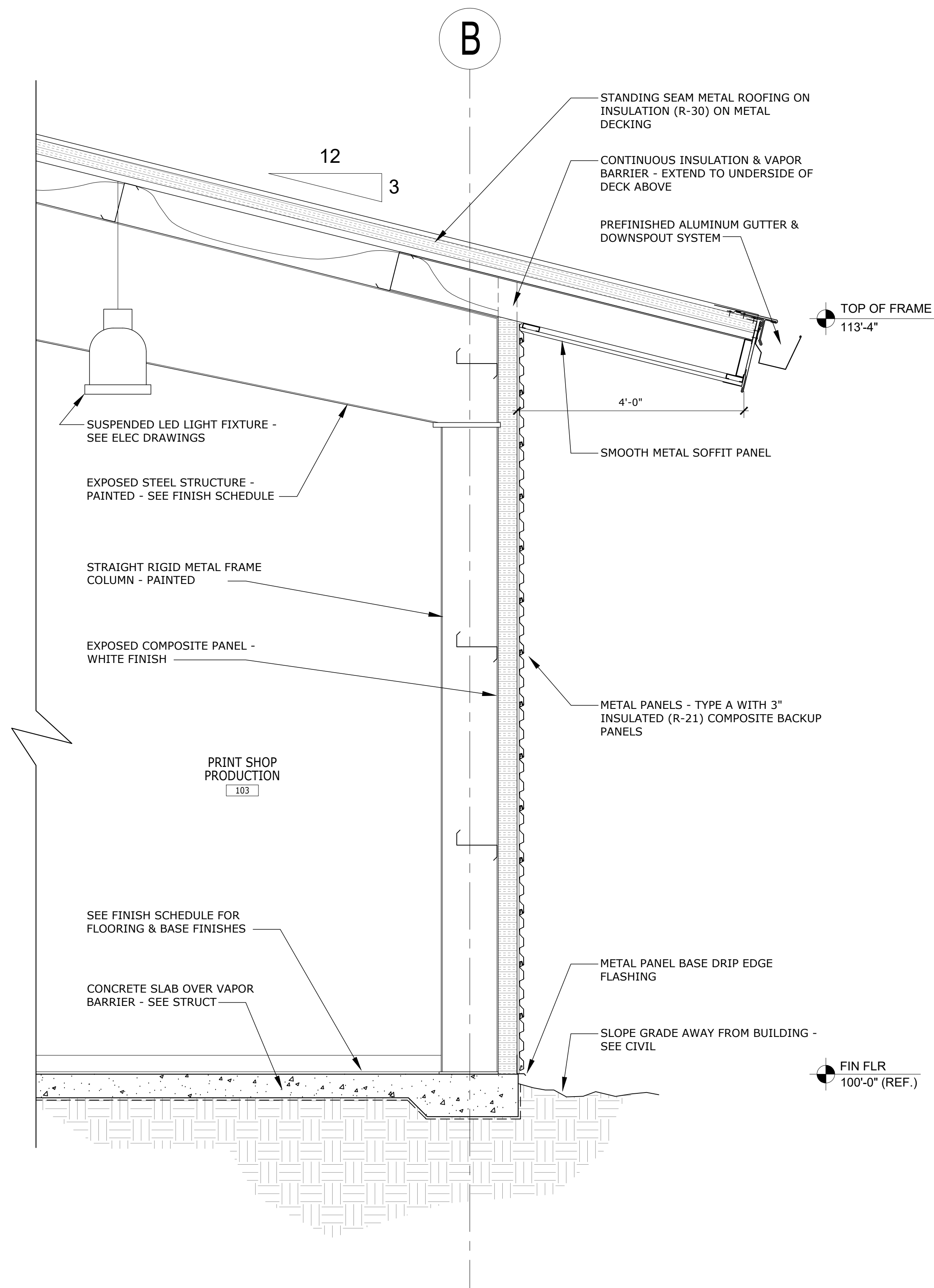
HOUSEMAN ARCHITECTURE
931 S SEMORAN BLVD. #204B WINTER PARK, FL 32792
AR0017645

ALL DESIGNS, DESIGNS, AND DETAILS REPRESENTED BY THIS DRAWING ARE OWNED BY AND THE PROPERTY OF HOUSEMAN ARCHITECTURE, LLC AND WERE CREATED WITHIN THE SPECIFIED PROJECT. ANY USE OF THE DESIGN, PARTS, OR DETAILS SHALL BE USED BY OR DISCLOSED TO ANYONE FOR ANY PURPOSE WITHOUT THE WRITTEN PERMISSION OF HOUSEMAN ARCHITECTURE, LLC.

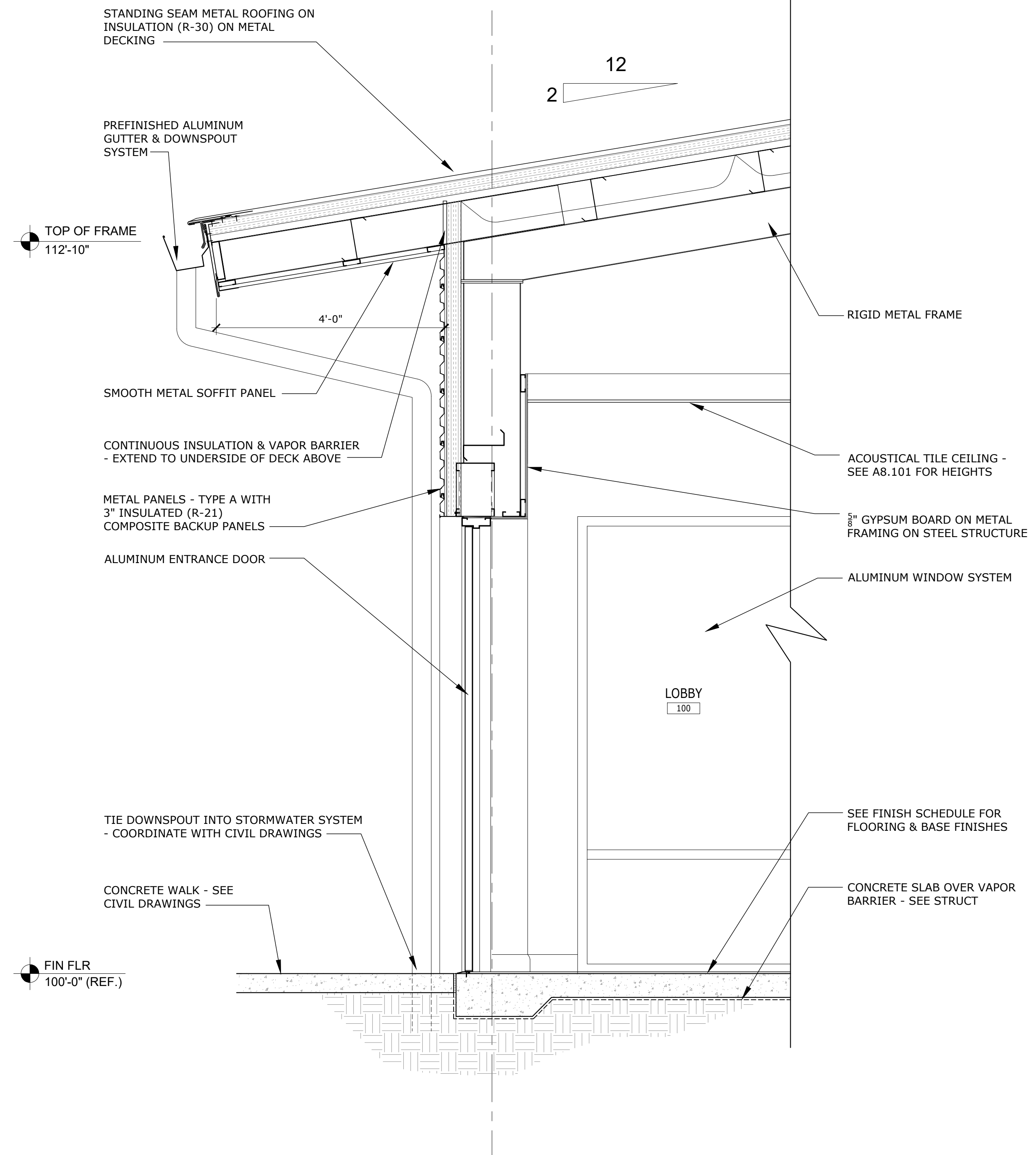
REVISION	DATE	DRAWN	CHECKED

BUILDING SECTIONS	
EMBRY-RIDDLE AERONAUTICAL UNIVERSITY NEW PRINT SHOP BUILDING	
Date 08/07/2019	Sheet no. A3.101
Job no. 18-042	

ISSUE FOR BID - 8/7/2019



1 WALL SECTION
3/4" = 1'-0"



2 WALL SECTION
3/4" = 1'-0"



SALAS O'BRIEN
[expect a difference]
3501 Quadrangle Boulevard, Suite 100
Orlando, Florida 32817
(407) 380-0400

CERT. OF AUTH. NO. 6106
■ GARY A. WILKERSON, P.E. 43167
■ WYLE J. CARTER, P.E. 53009
■ JEFF A. KIRKMAN, P.E. 65629
■ ADAM S. LEVINE, P.E. 77010

19005



HOUSEMAN ARCHITECTURE
931 S SEMORAN BLVD. #204B WINTER PARK, FL 32792
AR071745

ALL DESIGNS, DETAILS, AND DETAILS REPRESENTED BY THIS DRAWING ARE OWNED BY AND THE PROPERTY OF HOUSEMAN ARCHITECTURE, LLC AND WERE CREATED WITHIN THE SPECIFIED PROJECT. NONE OF THE DESIGN, PATENTS, OR DETAILS SHALL BE USED BY OR DISCLOSED TO ANYONE FOR ANY PURPOSE WHATSOEVER WITHOUT THE WRITTEN PERMISSION OF HOUSEMAN ARCHITECTURE, LLC.

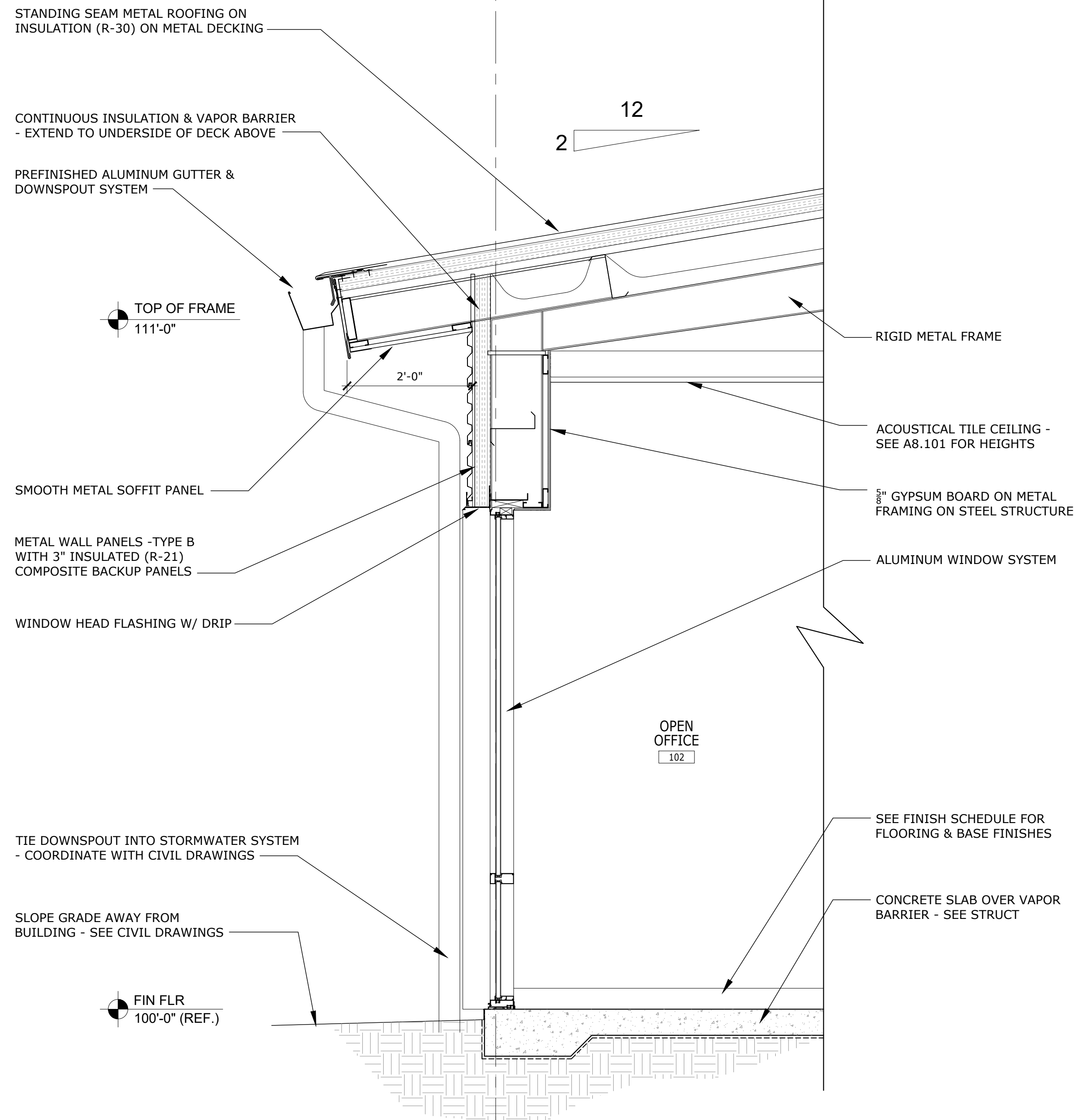
DATE	REVISION	DRAWN	CHECKED

ISSUE FOR BID - 8/7/2019

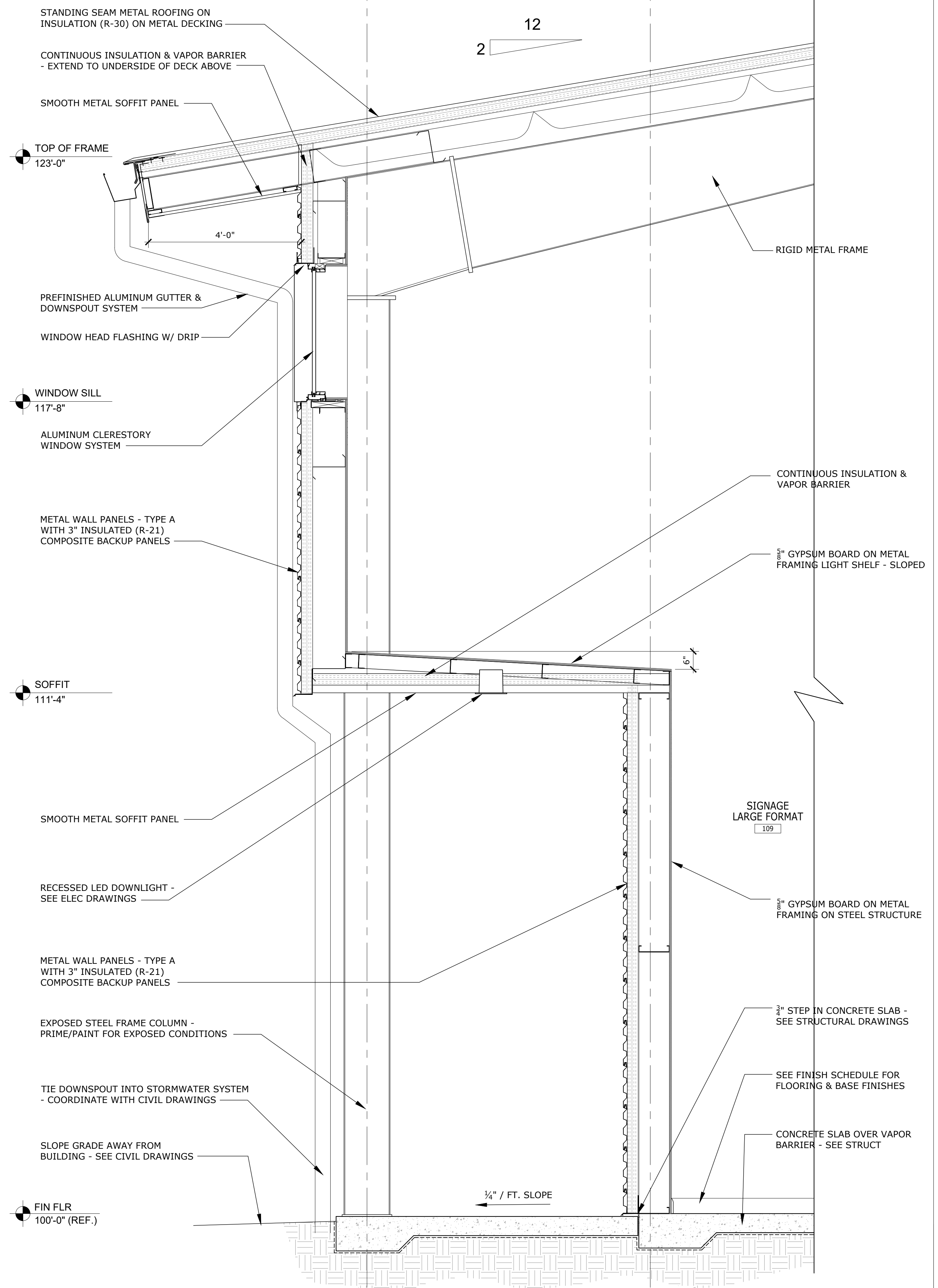
WALL SECTIONS

EMBRY-RIDDLE AERONAUTICAL UNIVERSITY
NEW PRINT SHOP BUILDING

Date: 08/07/2019
Job no. 18-042
Sheet no. **A4.101**



1 WALL SECTION
3/4" = 1'-0"



2 WALL SECTION
3/4" = 1'-0"



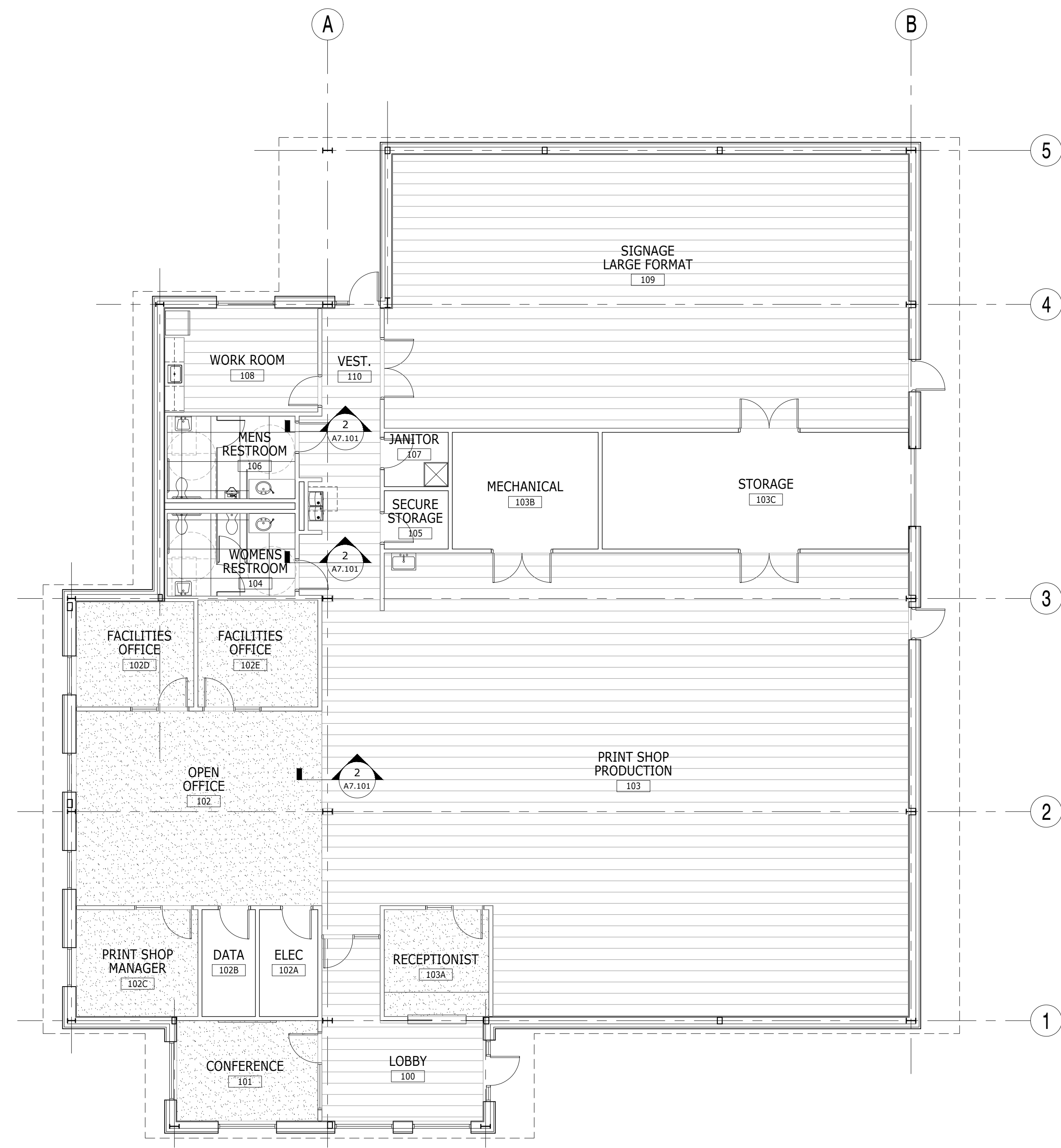
DATE	REVISION	DRAWN	CHECKED

ISSUE FOR BID - 8/7/2019

WALL SECTIONS

EMBRY-RIDDLE AERONAUTICAL UNIVERSITY
NEW PRINT SHOP BUILDING

Date: 08/07/2019
Job no: 18-042
Sheet no: A4.102



1 FINISH PLAN
1/8" = 1'-0"

MATERIALS LEGEND

FLOORING	DESCRIPTION	REMARKS
SC-1	SEALED CONCRETE	MATTE FINISH, CLEAR SEALER
T-1	PORCELAIN TILE FLOORING	CROSSVILLE GOTHAM 12"X 24" COLOR: xxx GROUT: xxx INSTALLATION: XXX PATTERN
CPT-1	CARPET TILE PLANKS	PATCRAFT BACKLIT 9" X 36" COLOR: xxx INSTALLATION: XXX PATTERN
LVT-1	VINYL TILE FLOORING	JOHNSONITE FREEDOM WOODS 6" X 48" COLOR: xxx INSTALLATION: XXX PATTERN

WALL BASE	DESCRIPTION	REMARKS
B-1	RUBBER BASE	JOHNSONITE 4" COVE BASE COLOR: xxx
B-2	PORCELAIN TILE BASE	CROSSVILLE GOTHAM COVE 4"X 24" COLOR: xxx GROUT: xxx

PAINT	DESCRIPTION	REMARKS
PT-1	WALL PAINT	SHERWIN WILLIAMS: SW XXX, EGGSHELL FINISH
PT-2	EPOXY WALL PAINT	SHERWIN WILLIAMS: SW XXX, EGGSHELL FINISH
PT-3	CEILING PAINT	SHERWIN WILLIAMS: SW 7005 PURE WHITE, FLAT
PT-4	EXPOSED STRUCTURE	SHERWIN WILLIAMS: SW XXX, SEMI-GLOSS FINISH

WALL TILE	DESCRIPTION	REMARKS
WT-1	PORCELAIN TILE	CROSSVILLE GOTHAM 12"X 24" COLOR: xxx GROUT: xxx INSTALLATION: XXX PATTERN

CABINETS	DESCRIPTION	REMARKS
PL-1	PLASTIC LAMINATE	WILSONART: XXX
Q-1	SOLID SURFACE (QUARTZ)	CAMBRIA: XXX

CEILING TILE	DESCRIPTION	REMARKS
ACT-1	ACOUSTICAL CEILING TILE	ARMSTRONG: 2' X 2' TILE: XXX GRID: PRELUDE, EXPOSED TEE, XL 15/16" WHITE

FINISH SCHEDULE

ROOM	FLOOR	BASE	WALLS				REMARKS
			N	S	W	E	
100	LVT-1	B-1	PT-1	PT-1	PT-1	PT-1	
101	CPT-1	B-1	PT-1	PT-1	PT-1	PT-1	
102	CPT-1	B-1	PT-1	PT-1	PT-1	PT-1	
102A	SC-1	B-1	PT-1	PT-1	PT-1	PT-1	
102B	SC-1	B-1	PT-1	PT-1	PT-1	PT-1	
102C	CPT-1	B-1	PT-1	PT-1	PT-1	PT-1	
102D	CPT-1	B-1	PT-1	PT-1	PT-1	PT-1	
102E	CPT-1	B-1	PT-1	PT-1	PT-1	PT-1	
103	LVT-1	B-1	PT-1	PT-1	PT-1	PT-1	PT-4 AT ALL EXPOSED STRUCTURE
103A	CPT-1	B-1	PT-1	PT-1	PT-1	PT-1	
103B	SC-1	B-1	PT-1	PT-1	PT-1	PT-1	
103C	SC-1	B-1	PT-1	PT-1	PT-1	PT-1	
104	T-1	B-2	WT-1	PT-2	PT-2	PT-2	TILE FULL HEIGHT @ WET WALL ONLY
105	SC-1	B-1	PT-1	PT-1	PT-1	PT-1	
106	T-1	B-2	PT-2	WT-1	PT-2	PT-2	TILE FULL HEIGHT @ WET WALL ONLY
107	SC-1	B-1	PT-1	PT-1	PT-1	PT-1	PROVIDE WHITE FRP PANEL 48"X 48" @ BOTH SIDES OF MOP SINK
108	LVT-1	B-1	PT-1	PT-1	PT-1	PT-1	
109	LVT-1	B-1	PT-1	PT-1	PT-1	PT-1	PT-4 AT ALL EXPOSED STRUCTURE
110	LVT-1	B-1	PT-1	PT-1	PT-1	PT-1	PT-4 AT ALL EXPOSED STRUCTURE

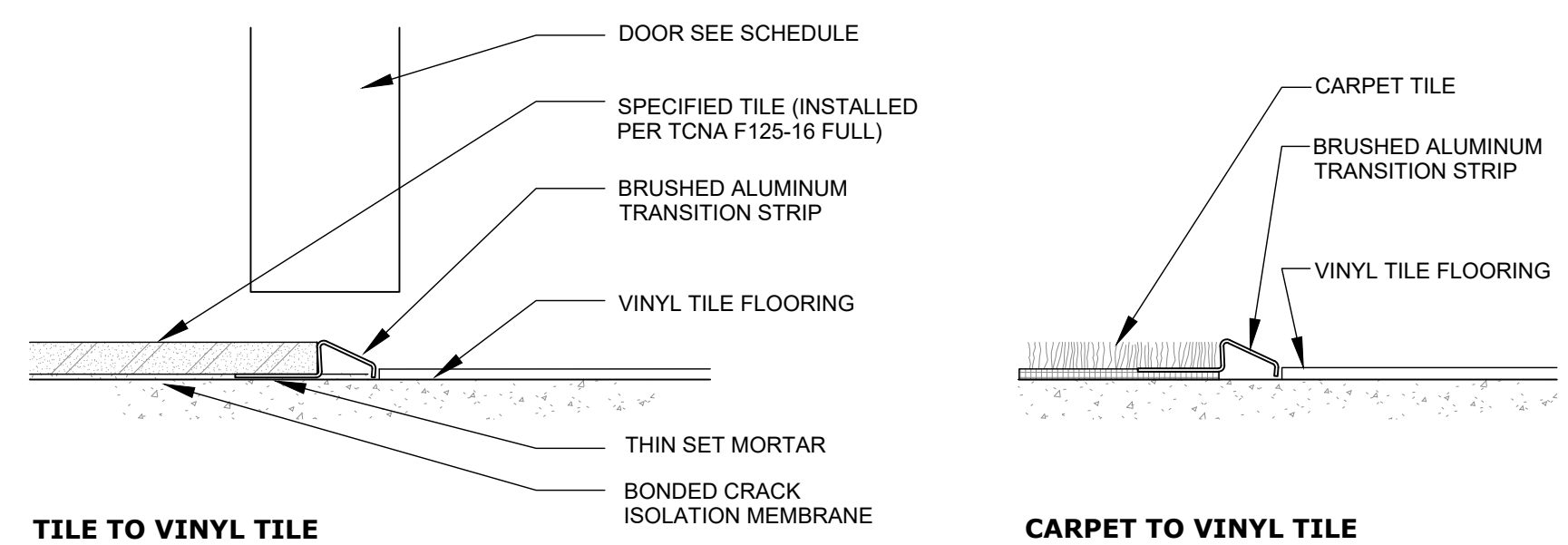
FINISH PLAN LEGEND

SC-1	SEALED CONCRETE
CPT-1	CARPET TILE
LVT-1	VINYL TILE
T-1	PORCELAIN TILE FLOORING

FINISH NOTES

- INTERSECTIONS OF FLOORING MATERIALS SHALL OCCUR UNDER CENTER OF DOOR UNO.
- ALL INTERIOR FINISHES SHALL COMPLY WITH SECTION 803.1, 803.1.1, AND TABLE 803.9 OF THE FLORIDA BUILDING CODE, 2017 MINIMUM INTERIOR FINISH FLAME SPREAD, AND NFPA 101 10.2. CLASSIFICATION FOR MATERIALS OTHER THAN FLOORINGS FOR BUSINESS OCCUPANCY SHALL COMPLY WITH THE FOLLOWING. FINISHES TO MATCH THE FLAME SPREAD RATINGS BELOW:

NONSPRINKLED:		
EXITS	EXIT ACCESS	OTHER SPACES
CLASS A	CLASS B	CLASS C

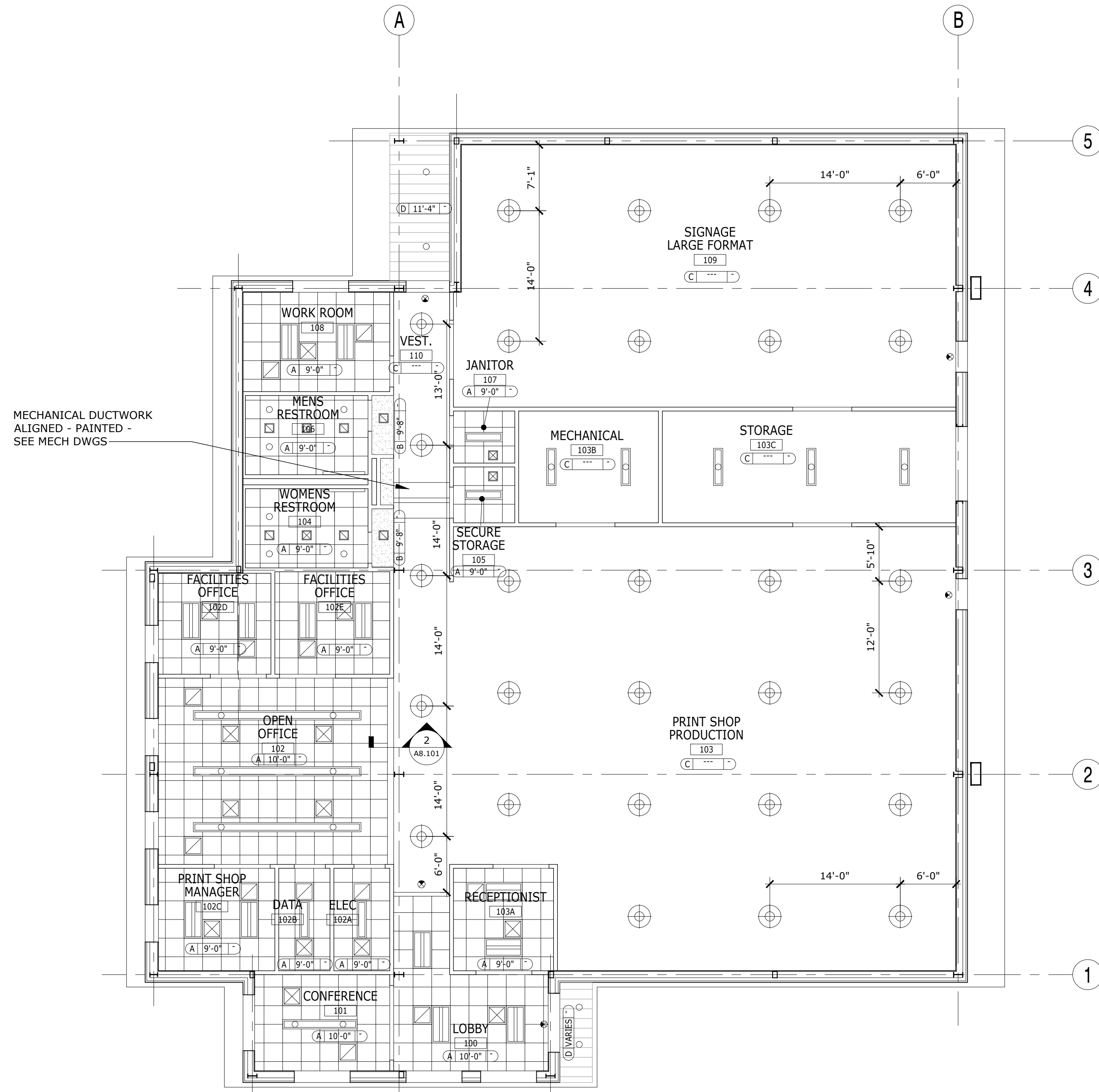


2 TRANSITION DETAILS
6" = 1'-0"

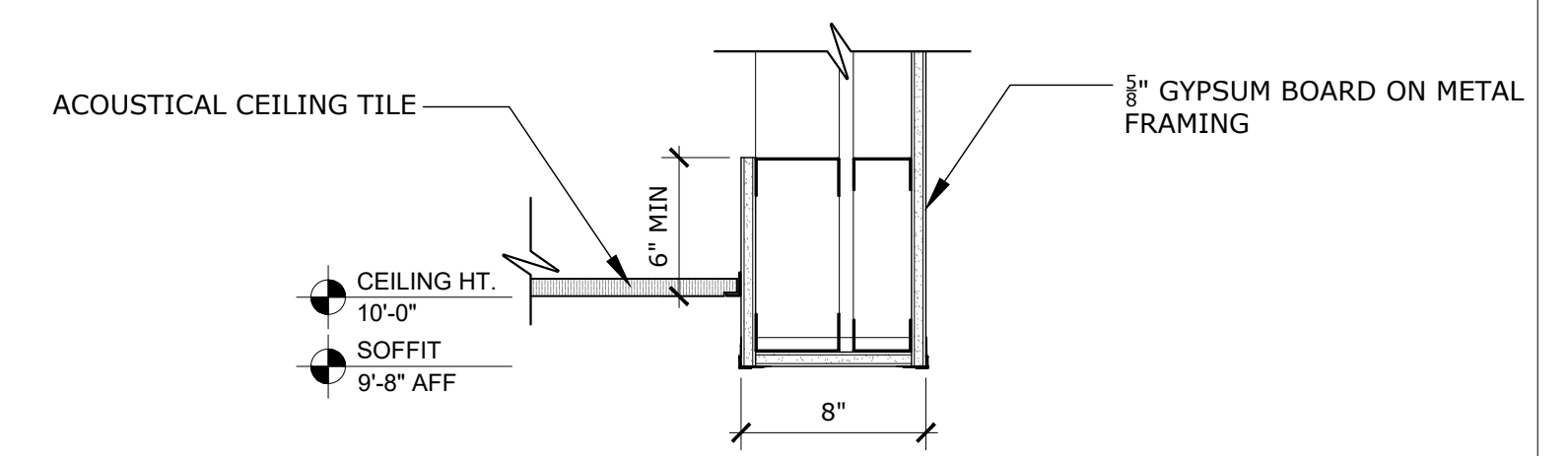


DATE	REVISION	DRAWN	CHECKED

ISSUE FOR BID - 8/7/2019
FINISH SCHEDULE & PLAN
 EMBRY-RIDDLE AERONAUTICAL UNIVERSITY
 NEW PRINT SHOP BUILDING
 Date: 08/07/2019
 Job no. 18-042
 Sheet no. **A7.101**



1 REFLECTED CEILING PLAN
1/8" = 1'-0"



2 CEILING TRANSITION DETAIL
1 1/2" = 1'-0"

CEILING LEGEND

SYMBOL	DESCRIPTION	SYMBOL	DESCRIPTION
	2' X 4' RECESSED INDIRECT LED FIXTURE		EXIT LIGHT
	SURFACE MOUNTED LED FIXTURE		HVAC DEVICES - SEE MECH DWGS.
	SUSPENDED DIRECT-INDIRECT LED FIXTURE		
	SUSPENDED LED HIGH BAY FIXTURE		
	LED DOWNLIGHT		
	EXTERIOR LED WALL LIGHT FIXTURE - SEE ELEVATIONS FOR MOUNTING HEIGHTS		

FINISH LEGEND

TAG	SYMBOL	DESCRIPTION
A		2' X 2' ACOUSTICAL CEILING TILE - SEE A7.101 ACT-1
B		5/8" GYPSUM BOARD CEILING - PAINTED SEE A7.101 PT-3
C		EXPOSED STRUCTURE - PAINTED SEE A7.101 PT-4
D		PREFINISHED METAL SOFFIT PANEL SYSTEM - BRACED FOR WIND UPLIFT

CEILING NOTES

- REFER TO ELECTRICAL DRAWINGS FOR FIXTURE TYPES, LIFE SAFETY DEVICES, CONTROLS & SPECIFICATIONS
- DEVICES SHOULD BE INSTALLED CENTERED WITHIN THE CEILING TILE.
- INSTALL SUSPENDED CEILING GRID AS SHOWN. NOTIFY ARCHITECT OF ANY DISCREPANCIES.

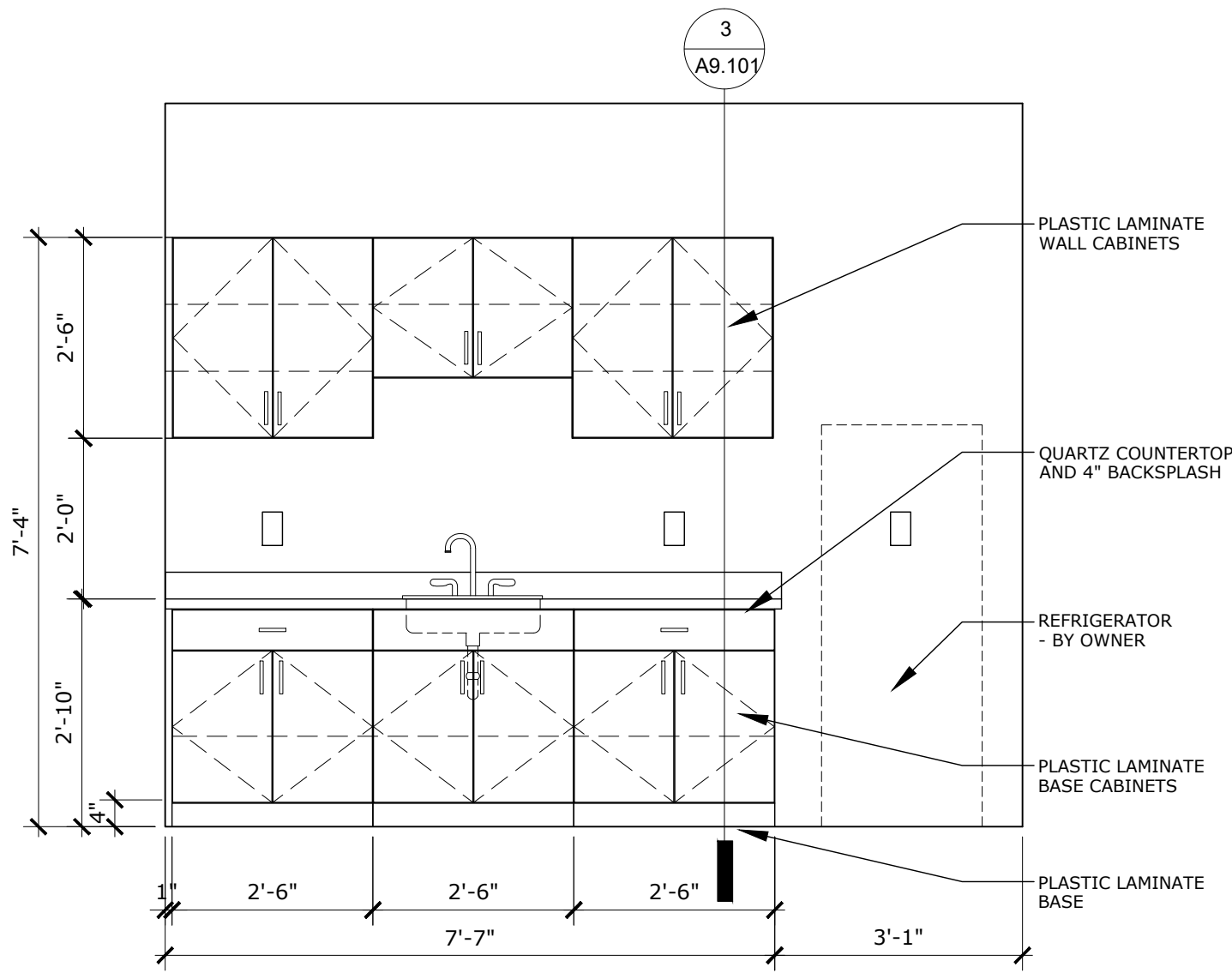


REVISION	DATE	DRAWN	CHECKED

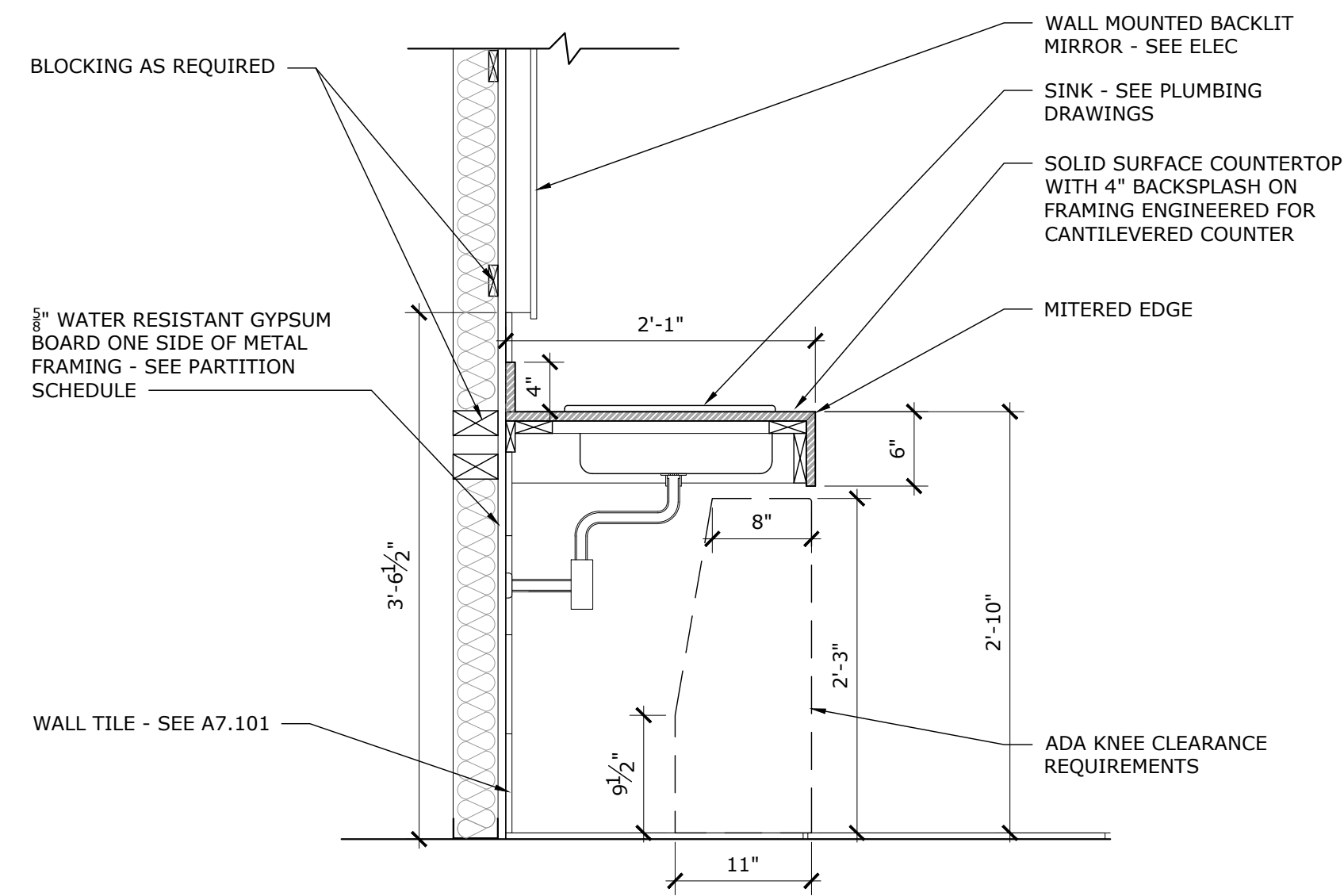
ISSUE FOR BID - 8/7/2019

EMBRY-RIDDLE AERONAUTICAL UNIVERSITY
NEW PRINT SHOP BUILDING

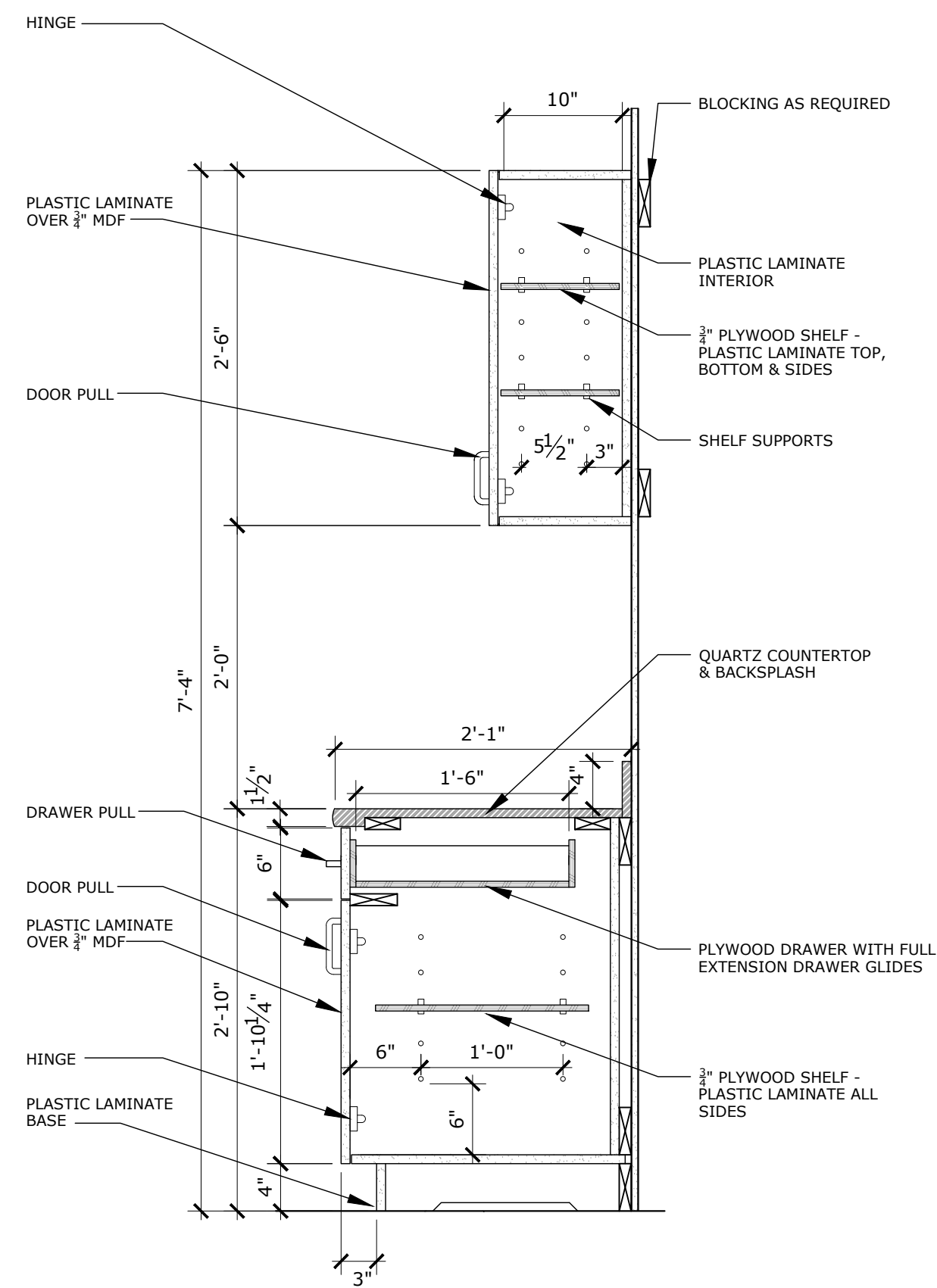
Date: 08/07/2019
Job no. 18-0242
Sheet no. A8.101



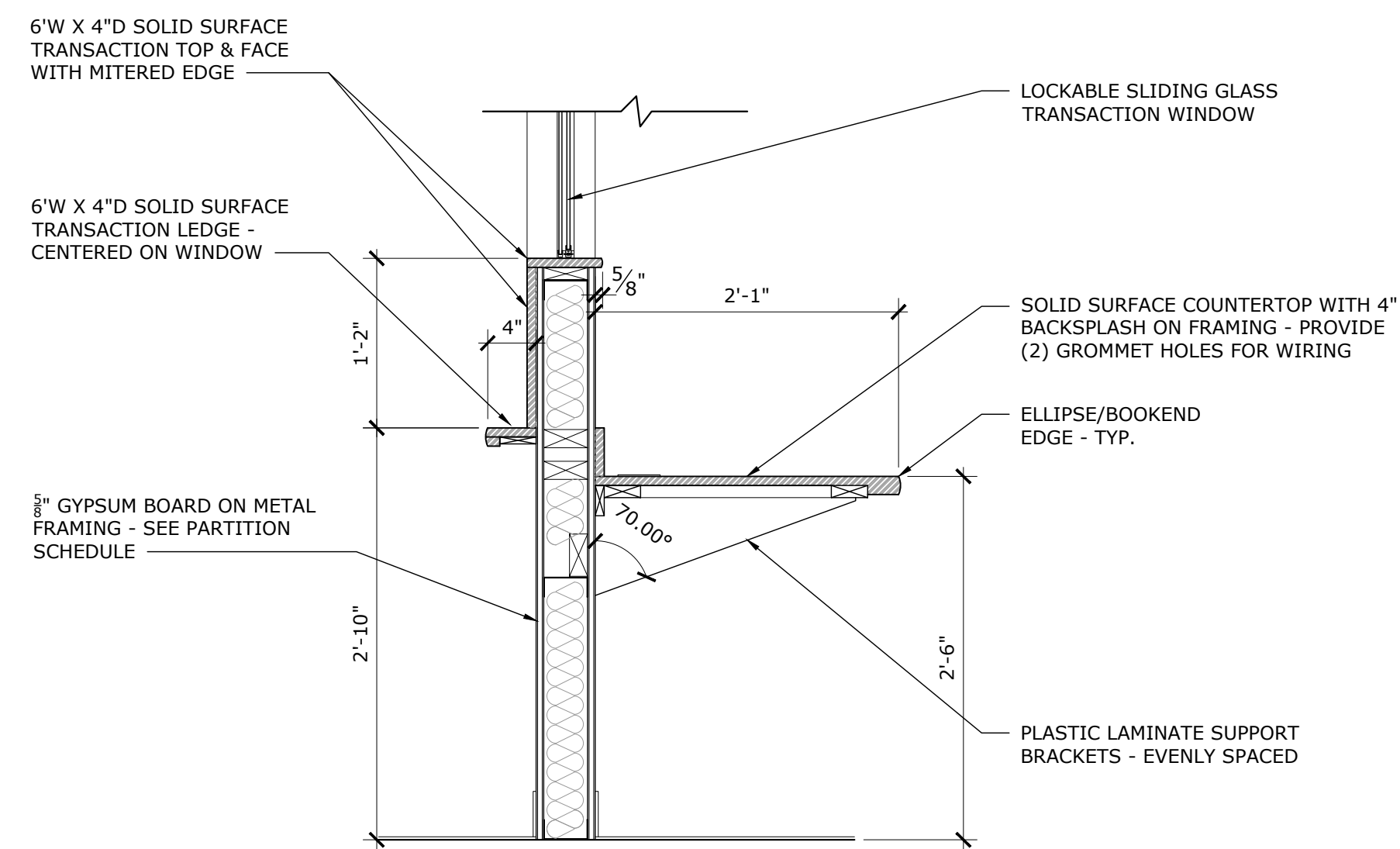
1 WORK ROOM 108 - INTERIOR ELEVATION
1/2" = 1'-0"



2 RESTROOM VANITY DETAIL
1/2" = 1'-0"



3 CABINERY SECTION
1" = 1'-0"



4 RECEPTION 103A COUNTER DETAIL
1" = 1'-0"

NOTES

1. ALL CASEWORK SHALL FULLY COMPLY WITH THE ARCHITECTURAL WOODWORK STANDARDS, CUSTOM GRADE.
2. ALL EXPOSED INTERIOR SURFACES TO BE PLASTIC LAMINATE.
3. HARDWARE SPECS:
 - 3.1.1. DRAWER GLIDES: BLUMOTION, BLUM INC. SOFT CLOSE
 - 3.1.2. PULLS: DP55A, DOUG HOCKETT & CO.
 - 3.1.3. HINGES: SERIES 200-100, SALICE
 - 3.1.4. SHELF SUPPORT: HAFELE 282.47.402



REVISION	DATE	DRAWN	CHECKED

INTERIOR ELEVATIONS & DETAILS

**EMBRY-RIDDLE AERONAUTICAL UNIVERSITY
NEW PRINT SHOP BUILDING**

Date: 08/07/2019
Job no. 18-042
Sheet no. **A9.101**

ISSUE FOR BID - 8/7/2019